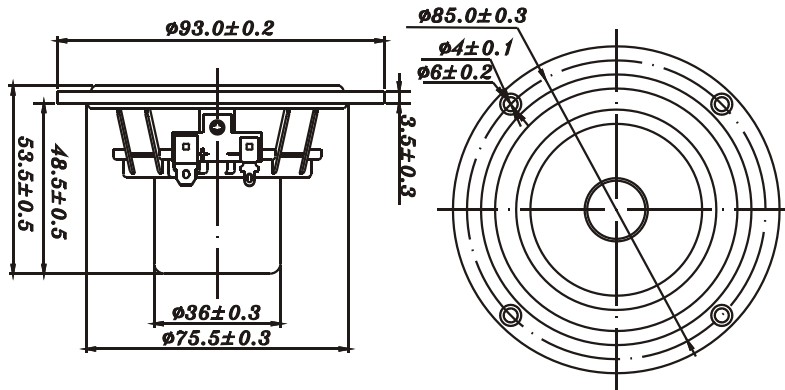


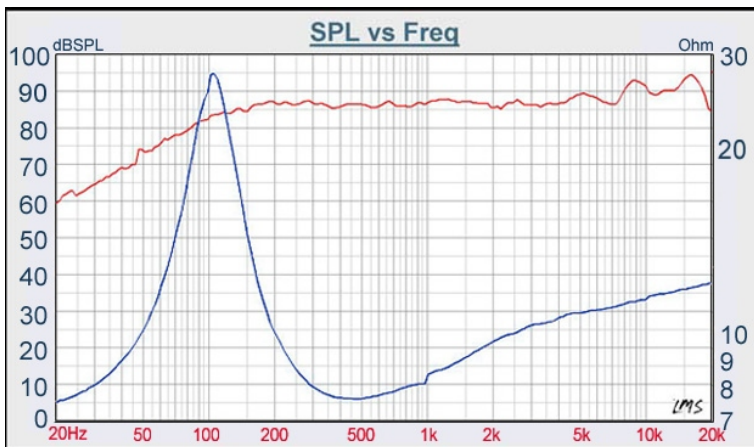
F SERIES

W3-1364S



- FULL RANGE FREQUENCY RESPONSE
- HIGH POWER LOADING DESIGN
- DIE CAST BASKET, VC VENTED DESIGN
- BAMBOO FIBER PAPER CONE WITH SANTOPRENE SURROUND
- MAGNETICALLY SHIELDED
- NEODYMIUM UNDERHUNG MOTOR DESIGN
- LOW 2nd, 3rd DISTORTION DESIGN

3" PAPER FULL RANGE



DIAPHRAGM MTL	Paper
SURROUND MTL	Santoprene
NOMINAL IMPEDANCE	8 Ω
DCR IMPEDANCE	6.6 Ω
SENSITIVITY 1W/1m	86 dB
FREQUENCY RESPONSE	105Hz - 20K Hz
FREE AIR RESONANCE	105 Hz
VOICE COIL DIAMETER	18.4 mm
AIR GAP HEIGHT	8 mm
RATED POWER INPUT	12 W
MAXIMUM POWER INPUT	25 W
FORCE FACTOR, BL	3.51 TM
MAGNET WEIGHT (oz)	Neodymium
MOVING MASS	1.75 g
FERROFLUID ENHANCED	No
SUSPENSION COMPLIANCE	1296 MN ⁻¹
EFFECTIVE PISTON AREA	0.0032M ²
Levc	0.008 mH
Zo	28 ohm
X-max	0.5 mm
Vas	1.88 Litr
Qts	0.59
Qms	2.48
Qes	0.77

TB SPEAKERS

P.O. BOX 10-53 NEI HU, TAIPEI, TAIWAN
 VOICE 886.2.26570282 FAX 886.2.26580166
 E-MAIL : INFO@TB-SPEAKER.COM