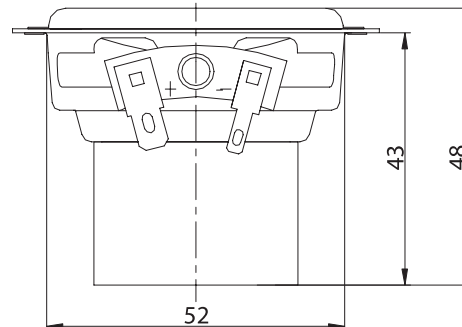
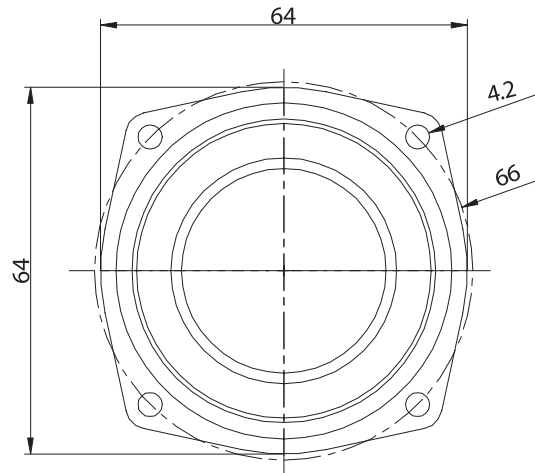


Features

- Low distortion Neo-Sym motor structure
- 4-Layer underhung voice coil
- Black anodized aluminum cone
- X_{MAX} 3.5 mm
- Full-range capability
- Great for line arrays

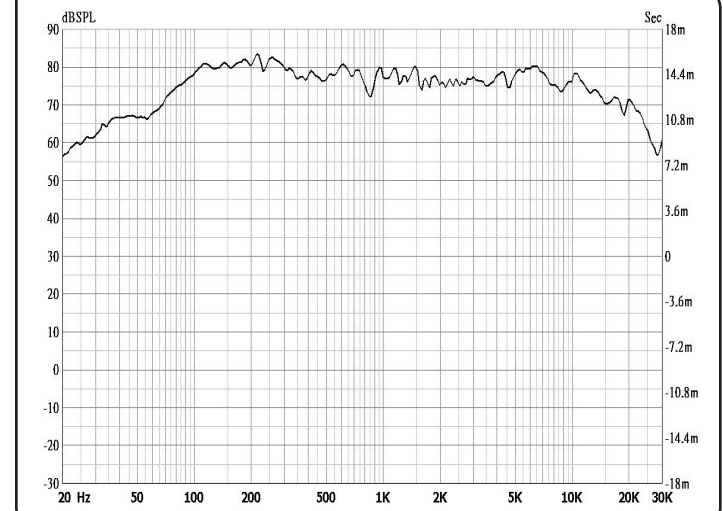
Parameters

Impedance (Ω)	4
Re (Ω)	3.4
Le (mH) @ 1 kHz	0.41
Fs (Hz)	84.1
Qms	5.76
Qes	0.80
Qts	0.70
Mms (g)	2.2
Cms (mm/N)	1.65
Sd (cm ²)	15.6
Vd (cm ³)	5.4
BL (Tm)	2.2
VAS (liters)	0.76
X _{MAX} (mm)	3.5
VC Diameter (mm)	19
SPL (dB@1W/1m)	79.4
RMS Power Handling (w)	15
Usable Frequency Range (Hz)	85-20,000



Note: All dimensions in mm.

Frequency Response



Impedance/Phase

