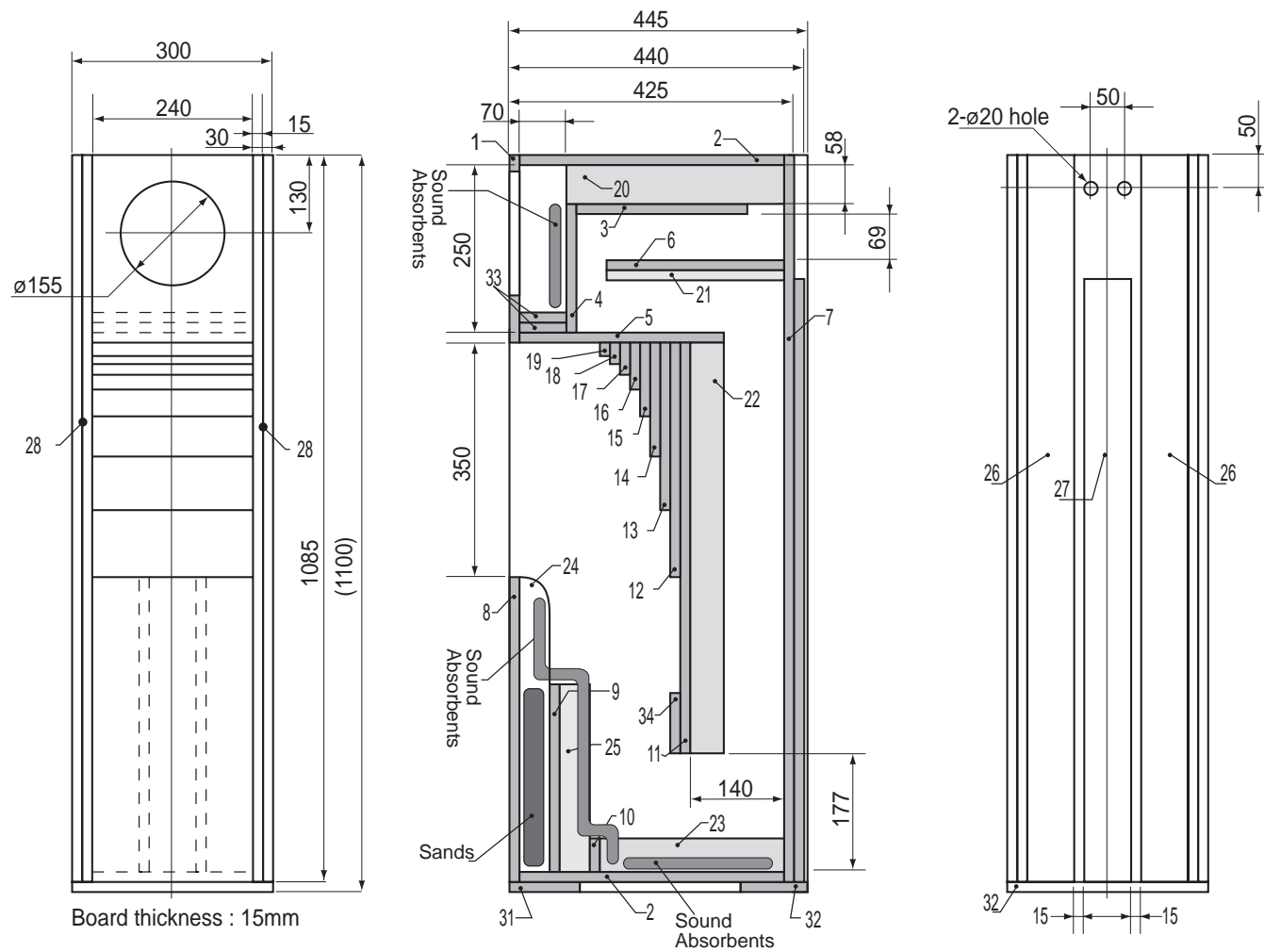




RECOMMENDED ENCLOSURE

FE168EΣ

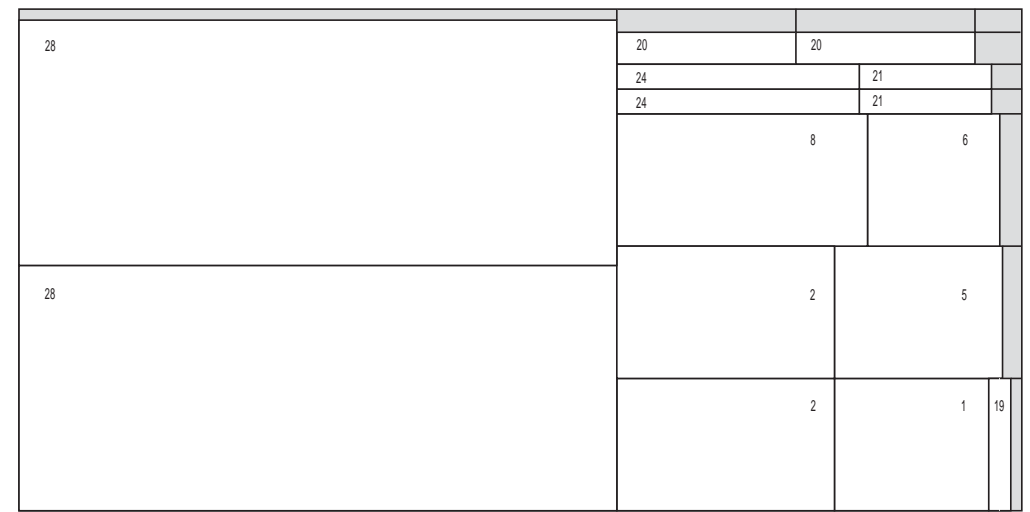
Recommended Back Loaded Horn Type Enclosure



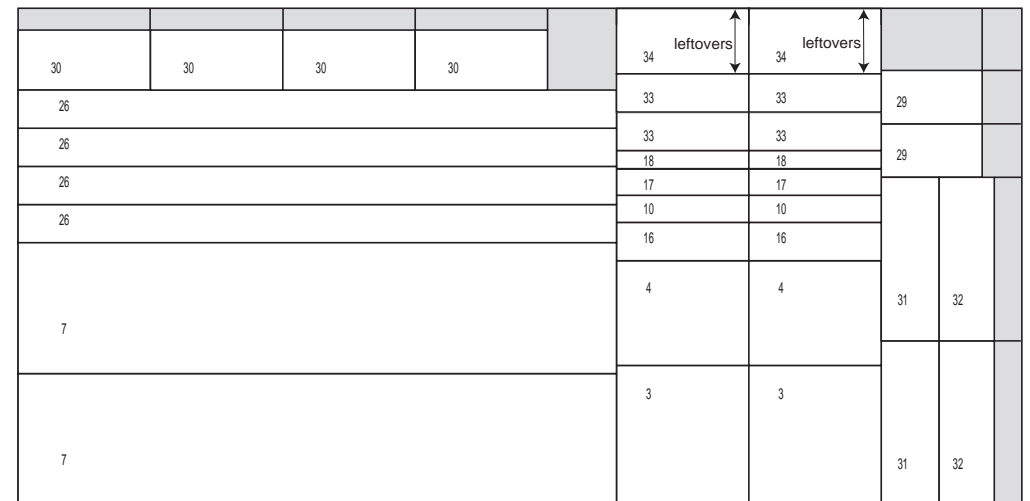
- This box plan is the full-fledged back loaded horn enclosure for FE168Esigma.
- The box realizes no stress reproduction from 50Hz to 20kHz with single FE168Esigma.
- Well tuned low frequency realizes tight and massive sound with perceptible fast response.
- Effectively downscaled baffle size realizes prior sound field and image localization, and ensures FE168Esigma's dynamic sound with abundance of energy.

Cutting Size Chart (1set, unit:mm)

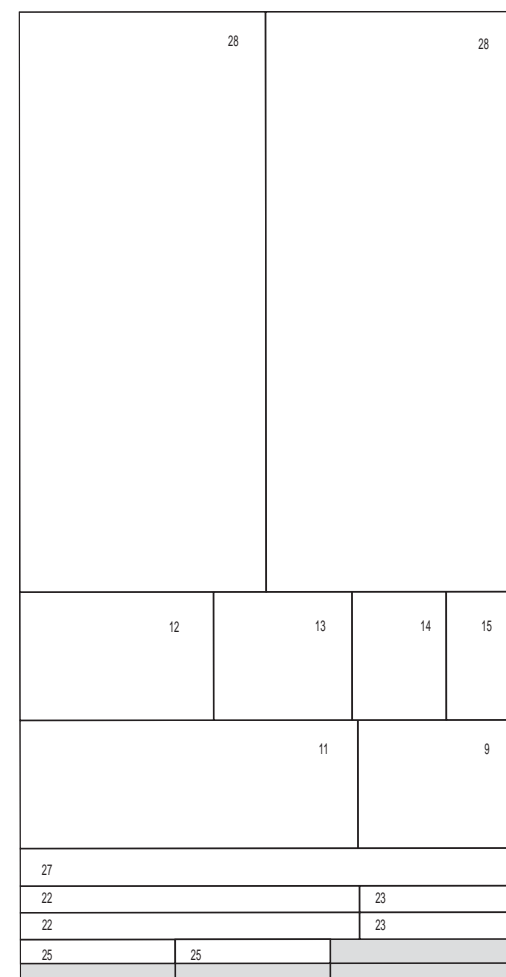
No.	Size (W x H)	Qty	No.	Size (W x H)	Qty
1	240 x 280	1	18	240 x 32	1
2	240 x 395	2	19	240 x 20	1
3	240 x 255	1	20	325 x 58	2
4	240 x 192	1	21	240 x 45	2
5	240 x 305	1	22	613 x 50	2
6	240 x 240	1	23	275 x 50	2
7	240 x 1085	1	24	440 x 45	2
8	240 x 455	1	25	280 x 45	2
9	240 x 280	1	26	1085 x 70	2
10	240 x 50	1	27	900 x 70	1
11	240 x 613	1	28	1085 x 445	4
12	240 x 350	1	29	183 x 98	1
13	240 x 250	1	30	240 x 110	2
14	240 x 170	1	31	300 x 105	1
15	240 x 110	1	32	300 x 100	1
16	240 x 70	1	33	240 x 70	2
17	240 x 48	1	34	240 x (90)	1



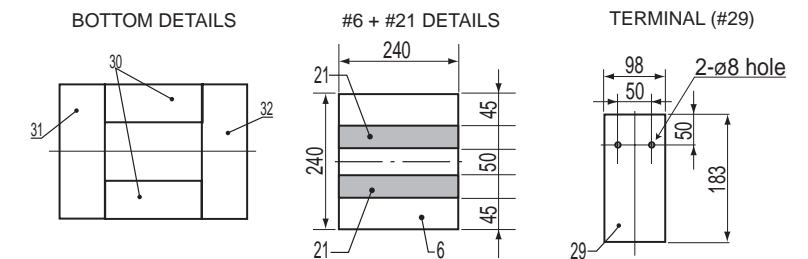
x 2pcs



x 1pc



x 2pcs



Frequency Response

