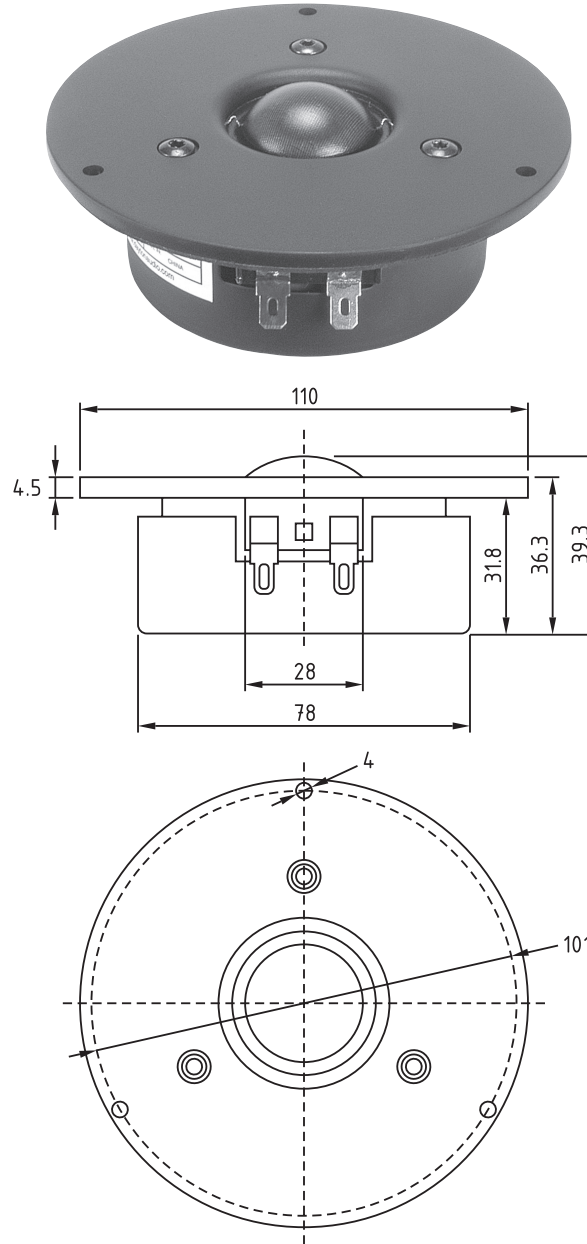


Features

- 1-1/8" treated silk dome
- Fully shielded motor structure
- Damped rear chamber
- Ferrofluid cooled voice coil
- Low free air resonance
- Very smooth on and off axis response

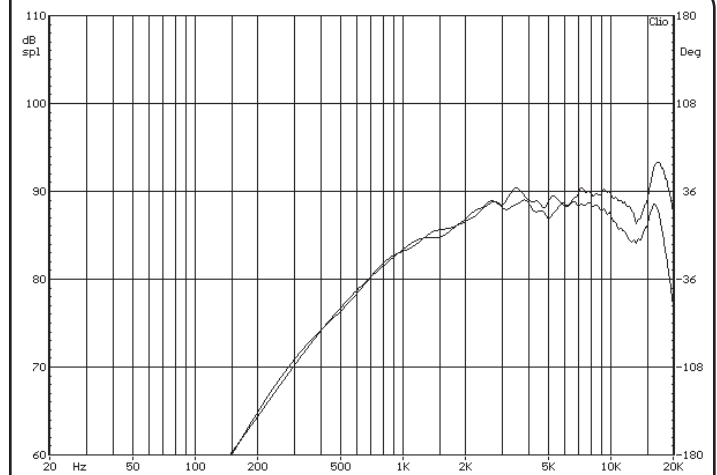
Parameters

| | |
|-----------------------------|--------------|
| Impedance (Ω) | 8 |
| Re (Ω) | 5.6 |
| Le (mH) | 0.04 |
| Fs (Hz) | 812.9 |
| Qms | 1.97 |
| Qes | 1.60 |
| Qts | 0.88 |
| Mms (g) | |
| Cms (mm/N) | |
| Sd (cm ²) | 6.6 |
| Vd (liters) | |
| BL (Tm) | |
| VAS (liters) | |
| XMAX (mm) | |
| VC Diameter (mm) | 29 |
| SPL (dB@1W/1m) | 89.0 |
| RMS Power Handling (w) | 50 |
| Usable Frequency Range (Hz) | 2000 - 20000 |



Note: All dimensions in mm.

Frequency Response



Note: Due to testing limitations, response below 200 Hz is not an actual representation.

Impedance/Phase

